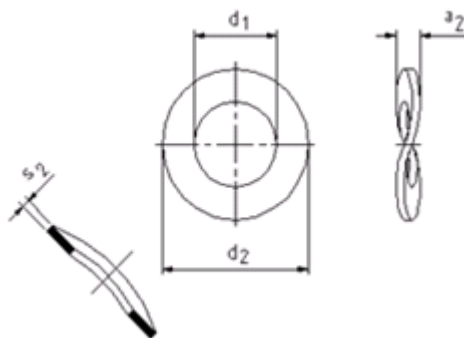


GRUPO 15

ARRUELA ONDULADA 'B'

DIN 137B



Diâmetro nominal	d <sub>1</sub>	d <sub>2</sub>	a <sub>2</sub>		s <sub>2</sub>	Tol.	Peso (kg/1000)	Para parafusos		Código DOBER
			min.	máx.				métricos	polegadas	
3,0	3,2	8,0	0,80	1,60	0,50	±0,05	0,166	3,0		150300050
3,5	3,7	8,0	0,90	1,80	0,50		0,154	3,5		150350050
4,0	4,3	9,0	1,00	2,00	0,50		0,193	4,0		150400050
5,0	5,3	11,0	1,10	2,20	0,50		0,286	5,0		150500050
6,0	6,4	12,0	1,30	2,60	0,50		0,318	6,0		150600050
7,0	7,4	14,0	1,50	3,00	0,80	±0,06	0,700	7,0	1/4	150700080
8,0	8,4	17,0	1,70	3,40	0,80		1,080	8,0	5/16	150800080
8,0	8,4	15,0	1,5	3,00	0,80		0,762	8 sw 13	5/16	150810080
10,0	10,5	21,0	2,10	4,20	1,00	±0,07	2,04	10,0	3/8	151000100
10,0	10,5	18,0	2,10	4,20	1,00		1,32	10 sw 15	3/8	151010100
12,0	13,0	24,0	2,50	5,00	1,20		3,01	12,0		151200120
14,0	15,0	28,0	3,00	6,00	1,60	±0,08	5,51	14,0	1/2	151400150
16,0	17,0	30,0	3,20	6,40	1,60		6,03	16,0	5/8	151600150
18,0	19,0	34,0	3,30	6,60	1,60		7,84	18,0		151800150
20,0	21,0	36,0	3,70	7,40	1,60			20,0	3/4	152000160
22,0	23,0	40,0	3,90	7,80	1,80	±0,1	11,90	22,0	7/8	152200180
24,0	25,0	44,0	4,10	8,20	1,80		14,50	24,0		152400180
26,0	27,0	50,0	4,50	9,00	2,00		21,80	26,0	1	152600200
27,0	28,0	50,0	4,70	9,40	2,00		21,10	27,0		152700200
28,0	29,0	50,0	4,80	9,60	2,00		20,40	28,0		152800200
30,0	31,0	56,0	5,00	10,00	2,20		29,50	30,0	1-1/8	153000220
32,0	33,0	60,0	5,10	10,20	2,20		30,00	32,0	1-1/4	153200220
33,0	34,0	60,0	5,30	10,60	2,20	33,10	33,0		153300220	
35,0	36,0	68,0	5,60	11,20	2,50	±0,15	51,30	35,0	1-3/8	153500250
36,0	37,0	68,0	5,80	11,60	2,50		50,20	36,0		153600250
38,0	39,0	72,0	6,10	12,20	2,80		63,20	38,0		153800280
39,0	40,0	72,0	6,40	12,80	2,80		61,80	39,0	1-1/2	153900280
40,0	41,0	72,0	6,50	13,00	2,80		60,50	40,0		154000280
42,0	43,0	78,0	6,80	13,60	3,00		78,30	42,0	1-5/8	154200300
45,0	46,0	85,0	7,10	14,20	3,00		94,50	45,0	1-3/4	154500300
48,0	50,0	92,0	7,80	15,60	3,50		129,0	48,0		154800350
50,0	52,0	92,0	8,00	16,00	3,50		124,0	50,0		155000350
52,0	54,0	98,0	8,20	16,40	3,50		144,0	52,0	2	155200350

Material: Aço mola beneficiado.  
Acabamento: Fosfatizado.

Outras medidas, materiais e acabamentos sob encomenda.